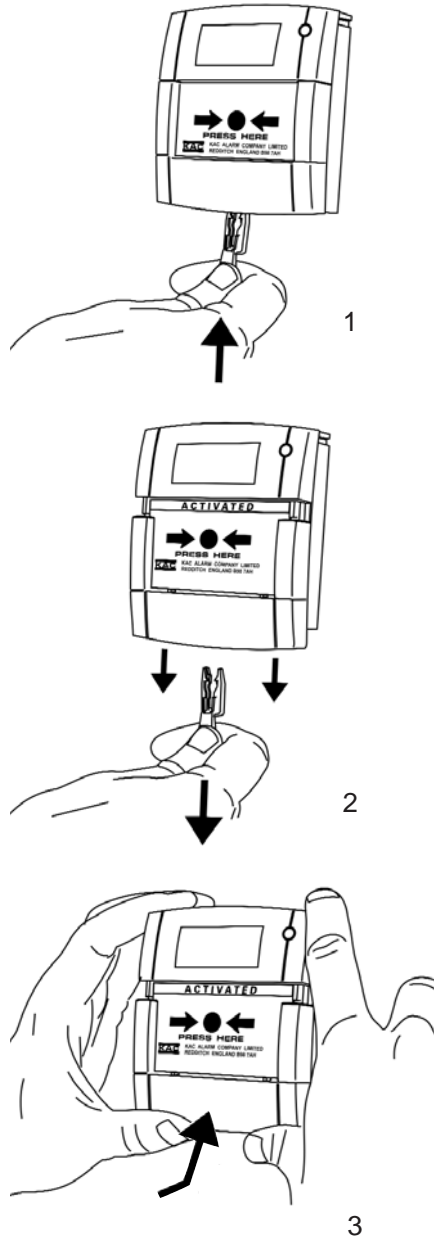
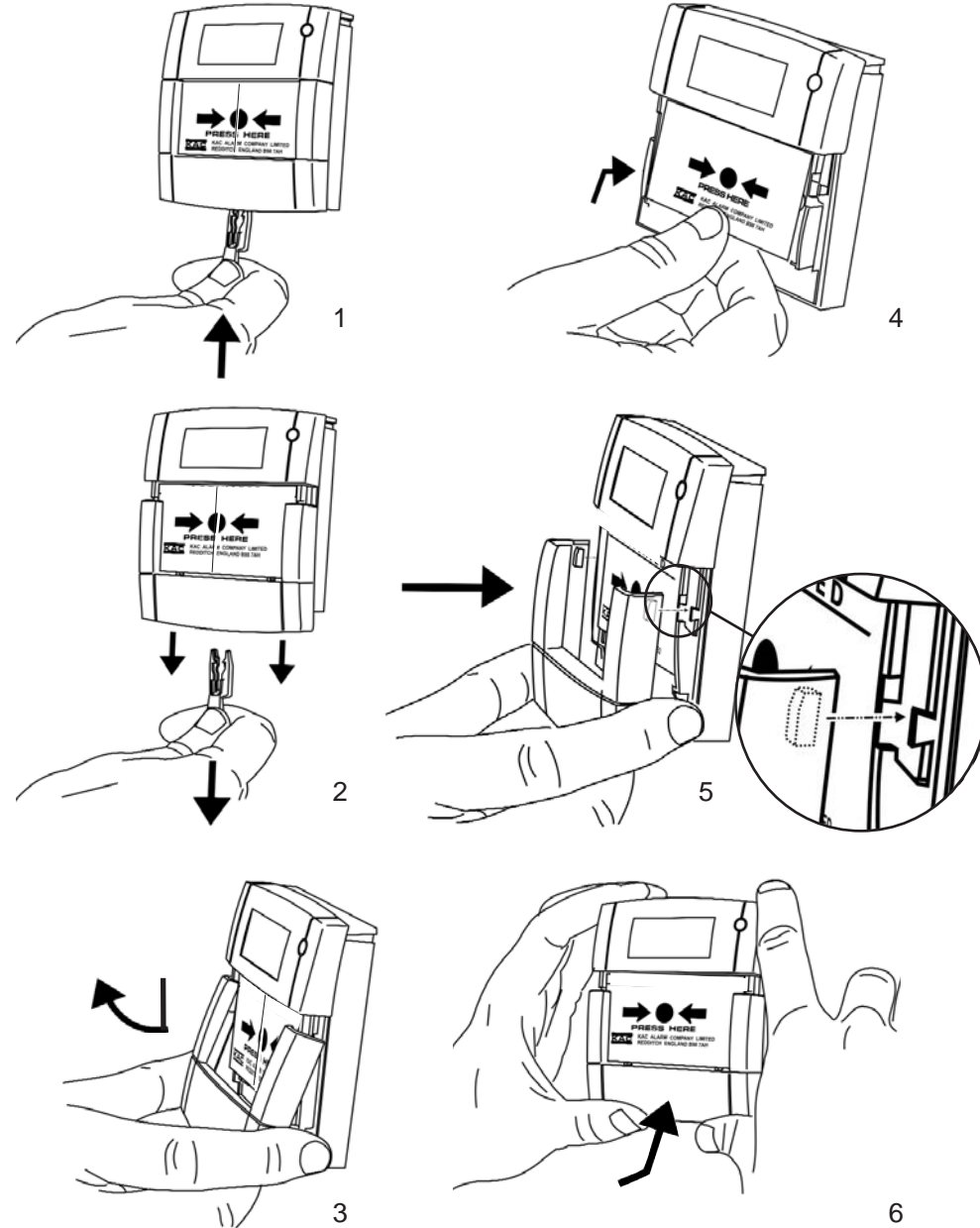


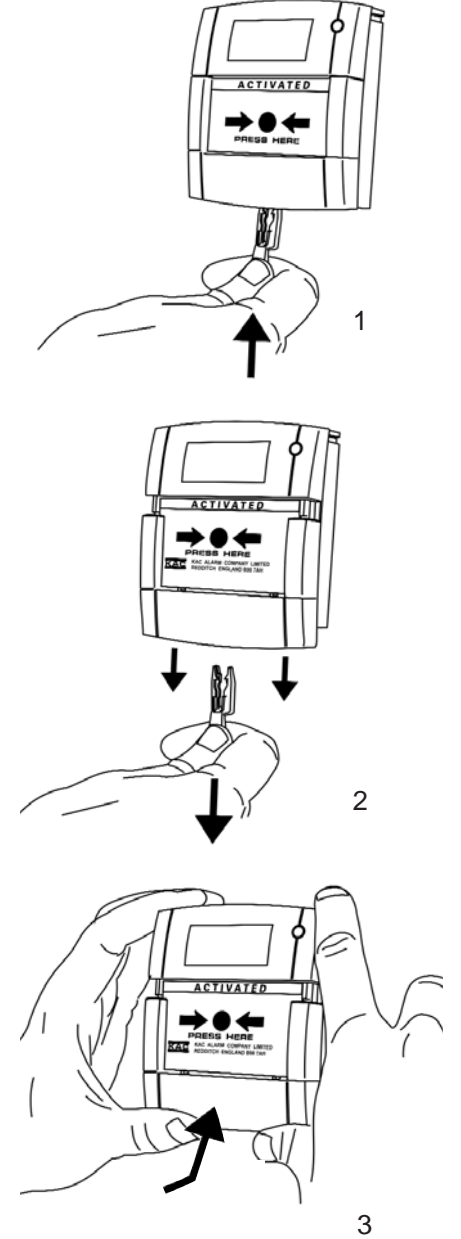
TO TEST



TO REPLACE GLASS / RESETTABLE ELEMENT



TO RESET

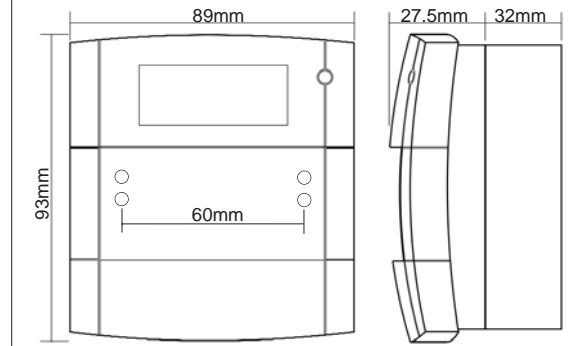


| CONNECTION DETAILS | MCP1A-X | MCP1B-X | MCP2A-X | MCP2B-X |
|--------------------|---------|---------|---------|---------|
|                    |         |         |         |         |
| <p>OR</p>          |         |         |         |         |

X in the MCP code (left) represents the final digits of the part number, which indicate MCP colour, component values, mounting options and element type.

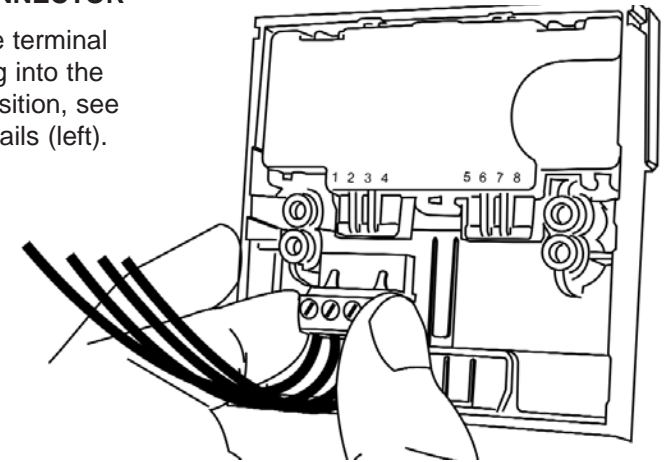
eg MCP1A -R470SF = (MCP1A, Red, 470R, Surface, Flexible Element).

**DIMENSIONS**



**PUSH FIT CONNECTOR**

After wiring the terminal connector, plug into the appropriate position, see connection details (left).



| CONNECTION DETAILS | MCP3A-X | CONNECTION DETAILS | MCP4A-X |
|--------------------|---------|--------------------|---------|
|                    |         |                    |         |
| <p>OR</p>          |         | <p>OR</p>          |         |

**TECHNICAL DATA**



30VDC Max



2A Max



IP24D



110/160g



-10°C to 55°C



Red, Ral 3001  
Yellow, Ral 1006  
Green, Ral 6016  
White, Ral 9010  
Blue, Ral 5002



**IMPORTANT NOTE:**  
PLEASE DO NOT OVER  
TIGHTEN FIXING SCREWS