

Specification:

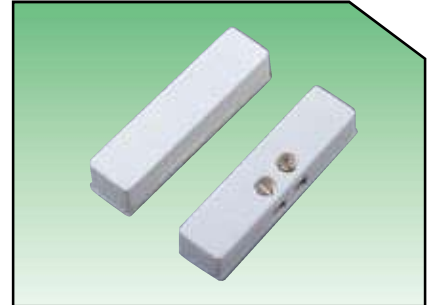
- * Quick connect terminal block
- * Adhesive and screws mount
- * Breakaway flanges
- * Easy installaion
- * Switches or magnets available seperately
- * Colors: White, Brown, Grey
- * Without tabs on side (BS-2032OT)

... Surface Mounted

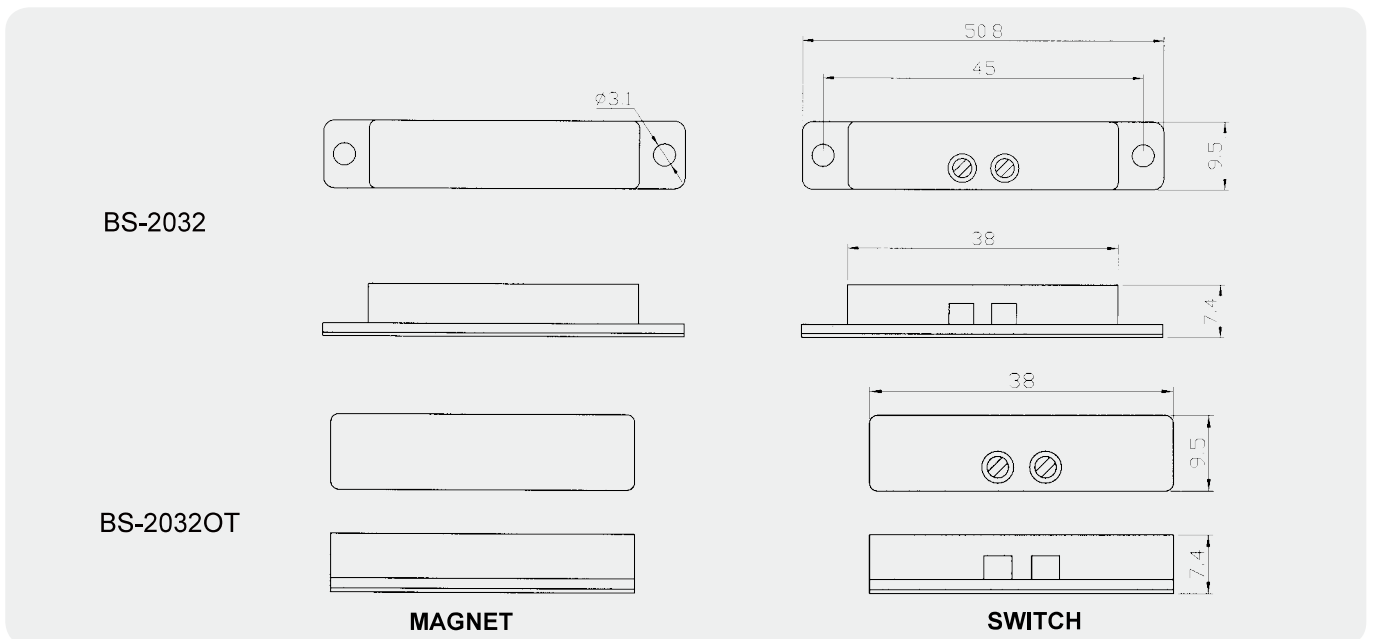
BS-2032



BS-2032OT



Dimension (mm):



Order Information:

Part Number	Loop Type	Reed Form	Closed Gap [Inch(mm)]	Depature Gap [Inch(mm)]	Maximum Initial Contact Resistance (Ohm)	Maximum Contact Rating (W)	Maximum Switching Voltage (VDC/VAC)	Maximum Switching Current (A)
BS-2032(OT)	Closed	N/O	0.95 (24)	1.06 (27)	0.150	10	100	0.5
BS-2032A(OT)	Open	N/C	1 (25)		0.150	3	30	0.2

Note: 1. Wide gap 1 1/4" available 2. Wire range for terminal: #20~#24AWG