

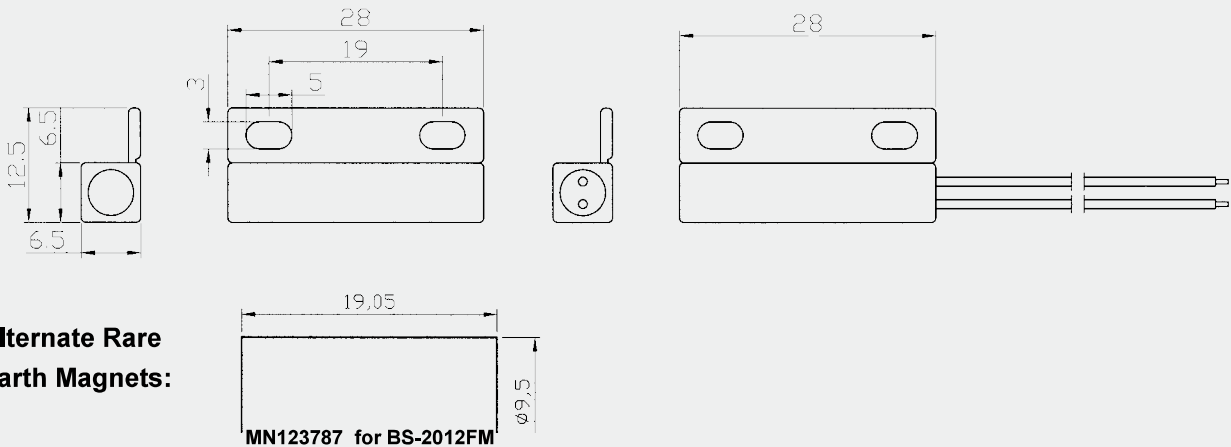
## Specification: **BS-2012**

- \* Mini Stick-on contact with flange
- \* Side leads with #24AWG 18" length
- \* Adhesive and screw mount included
- \* Speical leads on request
- \* Switches or magnets available seperately
- \* Resistor, Diode and Supervisory Loop available on request
- \* Colors: White, Brown, Grey

## ... Surface Mounted



## Dimension (mm):



## Order Information:

| Part Number | Loop Type     | Reed Form | Closed Gap [Inch(mm)] (Ohm) | Depature Gap [Inch(mm)] (W) | Maximum Initial Contact Resistance (VDC/VAC) | Maximum Contact Rating (A) | Maximum Switching Voltage | Maximum Switching Current |
|-------------|---------------|-----------|-----------------------------|-----------------------------|--|----------------------------|---------------------------|---------------------------|
| BS-2012     | Closed        | N/O       | 1 (24)                      | 1.15 (29)                   | 0.150  | 10                         | 100                       | 0.5                       |
| BS-2012FM   | Closed        | N/O       | 1 (25)                      | 1.1 (28)                    | 0.150  | 10                         | 100                       | 0.5                       |
| BS-2012A    | Open          | N/C       | 3/4 (19)                    |                             | 0.150  | 3                          | 30                        | 0.2                       |
| BS-2012C    | Closed & Open | SPDT      | 3/4 (19)                    |                             | 0.150  | 3                          | 30                        | 0.2                       |

