

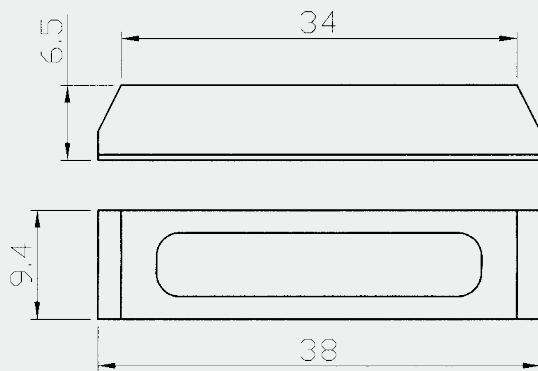
Specification: **BS-2024**

- * Surface mounted contact without flange
- * Center leads with #22AWG 18" length
- * Super adhesive: VHB tape
- * Special leads on request
- * Switches or magnets available separately
- * Resistor, Diode and Supervisory Loop available on request
- * Colors: White, Brown, Grey

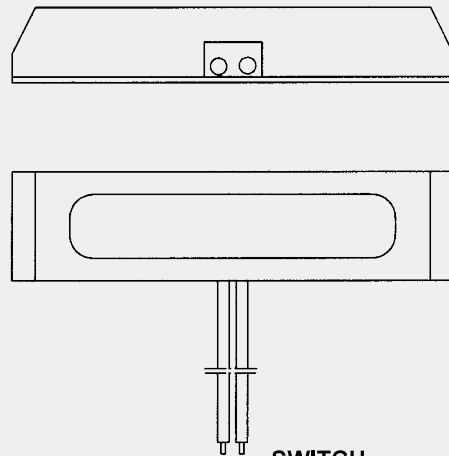
... Surface Mounted



Dimension (mm):



MAGNET



SWITCH

Order Information:

| Part Number | Loop Type | Reed Form | Closed Gap [Inch(mm)] | Depature Gap [Inch(mm)] | Maximum Initial Contact Resistance (Ohm) | Maximum Contact Rating (W) | Maximum Switching Voltage (VDC/VAC) | Maximum Switching Current (A) |
|-------------|---------------|-----------|-----------------------|-------------------------|--|----------------------------|-------------------------------------|-------------------------------|
| BS-2024 | Closed | N/O | 0.95 (24) | 1.05 (26) | 0.150 | 10 | 100 | 0.5 |
| BS-2024A | Open | N/C | 1 (23) | | 0.150 | 3 | 30 | 0.2 |
| BS-2024C | Closed & Open | SPDT | 1 (23) | | 0.150 | 3 | 30 | 0.2 |

