

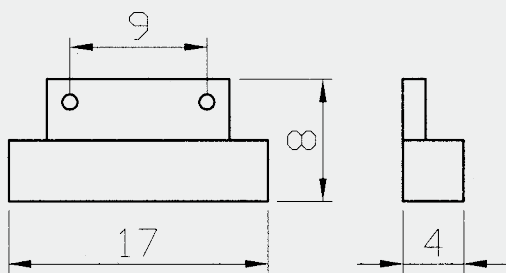
## Specification: **BS-2023**

- \* Ultra miniature switch
- \* Super tape included
- \* Center leads with #24AWG 18" length
- \* Longer leads on request
- \* Switches or magnets available seperately
- \* Colors: Brown, Grey, White

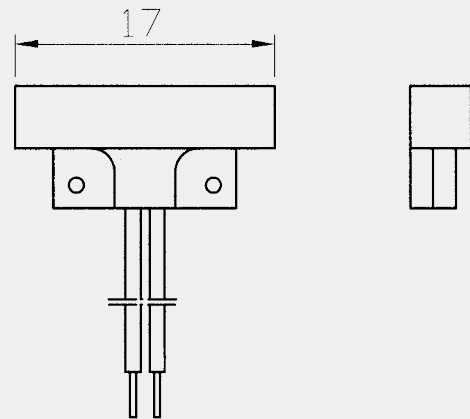
### ... Surface Mounted



## Dimension (mm):



MAGNET



SWITCH

## Order Information:

Part Number	Loop Type	Reed Form	Closed Gap [Inch(mm)]	Depature Gap [Inch(mm)]	Maximum Initial Contact Resistance (Ohm)	Maximum Contact Rating (W)	Maximum Switching Voltage (VDC/VAC)	Maximum Switching Current (A)
BS-2023	Closed	N/O	0.45 (12)	0.5 (13)	0.150	10	100	0.5